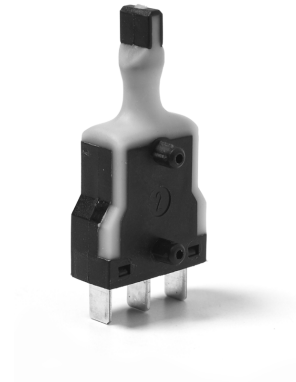


Snap-action

### MO

Characteristics	<ul style="list-style-type: none"> <li>■ Mid-off function, can switch 2 circuits</li> <li>■ High mechanical life</li> <li>■ Sealed to IEC IP6K7</li> </ul>
Rating	12 VAC, 0,1 A
Dimensions (mm)	13 × 25.5 × 5.5
Actuator	Pendulum
Approvals	None



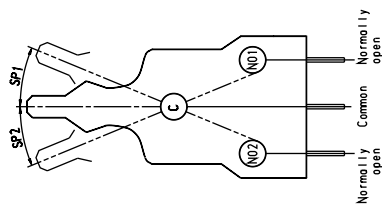
### Preferred Range

Ordering Reference	Sealing	Operating pos.	Terminal	Contacts
MOT11	IP6K7	10° ± 4°	Solder	Gold

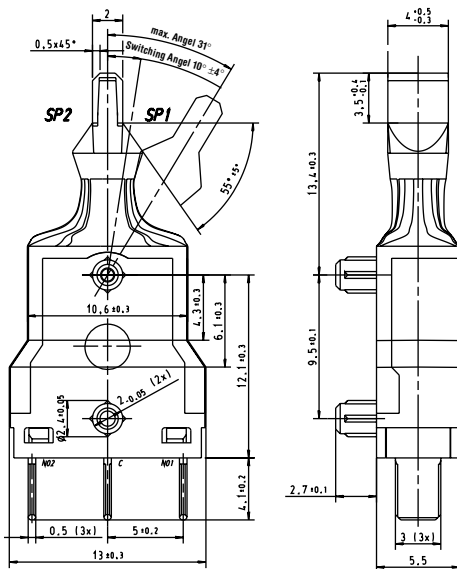
## Specifications

Housing	PP + GF
Base	PA + GF
Mechanism	Leaf spring mechanism
Pendulum	PA
Contacts	Gold
Terminals	Brass
Temperature range °C	-40°C to +85°C
Mechanical life	Up to 200'000 cycles
Protection	IP67
Mounting	Pegs
Cowl	TPE

Circuit diagram



Dimensions



M0

### Recommended electrical ratings

Voltage VAC	Resistive load max. A
12	0,1
Voltage VAC	Resistive load min. A
12	0,005
Voltage VDC	Resistive load max. A
12	0,1
Voltage VDC	Resistive load min. A
12	0,005

### Operating Characteristics

	Reference	Operating Angle	Maximum Angle
Plunger	M0T11	10° ± 4°	31°

### Ordering Reference

Type	M0		
Terminals	No symbol	Pre-wired 500 mm with cable box	
	T11	Faston	3.0 × 0.5 × 4.1 long

- Mikroschalter
- Motoren
- Magnete
- Schalter
- Sensoren
- Steuerungstechnik
- 19" Schranksysteme
- Kabelkonfektion