

# M2V3 / C2V3

## Snap-action

Metal housed

### M2V3 / C2V3

Characteristics	<ul style="list-style-type: none"> <li>■ sealed (IP65)</li> <li>■ contains two electrically independent change-over switches</li> <li>■ rotary action levers can be mounted in four different positions and then adjusted through 360°</li> </ul>
Rating	250 VAC, 10 A max.
Dimensions (mm)	66.9 × 38.3 × 30.2
Actuator	<ul style="list-style-type: none"> <li>■ spring plunger</li> <li>■ roller levers</li> <li>■ rod lever</li> <li>■ wobble stick</li> </ul>
Approvals	UL, CSA



### Preferred Range

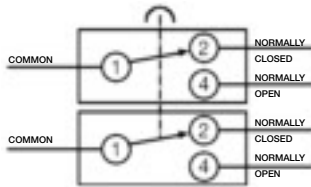
Ordering Reference	Actuating Force (N)	Force (ozf)	Sealing	Operating pos. (mm) (in)		Terminal	Circuit	Actuator	Contacts	Electrical rating
M2V3HM6S	14.5	52.00	IP65	57.1	2.25	Screw/washer	2 CO	Spring plunger	Ag, AgCd0	Up to 250 VAC, 10 A
M2V3HM6SF	1.5	5.40	IP65			Screw/washer	2 CO	Wobble stick actuator	Ag, AgCd0	Up to 250 VAC, 10 A
C2V3HM6SUL	14.5	52.00	IP65	57.1	2.25	Screw/washer	2 CO	Spring plunger	Ag, AgCd0	Up to 250 VAC, 10 A
C2V3HM6SFUL	1.5	5.40	IP65			Screw/washer	2 CO	Wobble stick actuator	Ag, AgCd0	Up to 250 VAC, 10 A

Ordering Reference	Actuating Torque (Nm)	Torque (ozf-in)	Sealing	Terminal	Circuit	Actuator	Contacts	Electrical rating
M2V3HM6SA	0.23	32.00	IP65	Screw/washer	2 CO	Rotary action roller lever	Ag, AgCd0	Up to 250 VAC, 10 A
M2V3HM6SLR	0.23	32.00	IP65	Screw/washer	2 CO	Rotary action slotted roller lever	Ag, AgCd0	Up to 250 VAC, 10 A
M2V3HM6SRA	0.23	32.00	IP65	Screw/washer	2 CO	Rotary action rod lever	Ag, AgCd0	Up to 250 VAC, 10 A
C2V3HM6SAUL	0.23	32.00	IP65	Screw/washer	2 CO	Rotary action roller lever	Ag, AgCd0	Up to 250 VAC, 10 A
C2V3HM6SLRUL	0.23	32.00	IP65	Screw/washer	2 CO	Rotary action slotted roller lever	Ag, AgCd0	Up to 250 VAC, 10 A
C2V3HM6SRAUL	0.23	32.00	IP65	Screw/washer	2 CO	Rotary action rod lever	Ag, AgCd0	Up to 250 VAC, 10 A

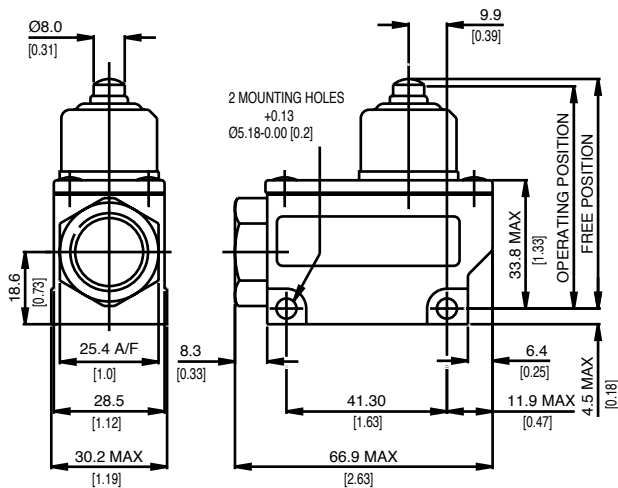
### Specifications

Housing	Aluminium
Plunger	Mild steel, zinc-plated
Mechanism	2 electrically isolated single pole microswitches
Functions	Change-over - independent circuits or double pole use
Contacts	Silver, silver cadmium oxide
Terminals	M3 screws and lockwashers
Temperature range °C	-10°C to +85°C
Mechanical life	10 <sup>6</sup> cycles minimum (impact free actuation)
Protection	IP 65 (enclosure)
Mounting	Side mounting
Actuators	Roller lever - nylon, slotted roller lever - mild steel zinc-plated, nylon Rod lever - stainless steel, wobble stick - spring steel wire

Circuit diagram



Dimensions



### Recommended maximum electrical ratings

Voltage (max)	Resistive load (A)	Inductive load	Horsepower	Approval
250 VAC	10 (0.75 pf)	10	-	UL 1054/CSA 22.2 No. 55 - 6,000 operations
125 VAC	-	-	½ HP (0.45 pf)	UL 1054/CSA 22.2 No. 55 - 6,000 operations
0 - 15 VDC	10	-	-	General rating - 50,000 operations
15 - 30 VDC	7	-	-	General rating - 50,000 operations

## M2V3 / C2V3

### Operating Characteristics

Actuator	Reference	Actuating Force Maximum		Release Force Minimum		Free Position Maximum		Operating Position		Movement Differential Maximum		Over travel Maximum	
		(N)	(ozf)	(N)	(ozf)	(mm)	(in)	(mm)	(in)	(mm)	(in)	(mm)	(in)
Spring plunger	M2V3HM6S C2V3HM6SUL	14.5	52.00	2.2	8.0	59.0	2.32	57,1 ±0.8	2.25 ±0.03	1.0	0.04	5,1	0,20
Wobble stick	M2V3HM6SF C2V3HM6SFUL	1.5	5.40	50 mm (1.97 in) movement to operate maximum									
Rotary roller lever	M2V3HM6SA C2V3HM6SAUL	0.23	32.0	Pre-travel 240									
Rotary slotted roller lever	M2V3HM6SLR C2V3HM6SLRUL	0.23	32.0	Adjustable		20° (min)							
Rotary rod lever	M2V3HM6SRA C2V3HM6SRAUL	0.23	32.0	Adjustable - pre-travel 240 maximum		20° (min)							

**Type coding key for standard products**

Basic type	M2V3 / C2V3	Example:	M2V3	A	UL
Conduit entry	M2V3 C2V3	M20/20 mm ISO thread ½ in NPS thread			
Actuators	A LR RA F	No symbol, spring plunger Rotary action roller lever Rotary action slotted roller lever Rotary rod actuator Wobble stick actuator			
Approvals	UL	No symbol, without approval UL and CSA approval			C2V3 only
Special Features	/ <input type="checkbox"/> <input type="checkbox"/> <input type="checkbox"/> <input type="checkbox"/>	Saia-Burgess specialise in customer specific solutions. Additional product variants are available or can be provided. If your requirements cannot be satisfied from the options listed, please contact <a href="http://www.saia-burgess.com">www.saia-burgess.com</a> or your local SB outlet.			